



Visite la página TRAXXAS.com/manuals para descargar el instrucciones en su idioma.

Auf TRAXXAS.com/manuals können Sie anleitung in Ihrer Sprache downloaden.

Center Differential Instructions

Covers Part #6780



Tools needed: 2.5mm hex driver

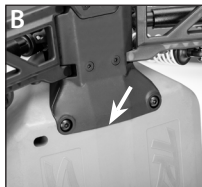
Center Differential Installation:

1. Locate and remove the button-head cap screws from the top rear of the chassis (2) and from the bottom of the rear skid plate (2) with a 2.5mm hex driver.
2. Remove the modular rear end from the chassis by sliding it backward away from the chassis. This is to access the spur gear/slipper unit.

3. Remove the spur gear/slipper unit from the rear of the chassis.
4. Insert the center differential unit into the rear of the chassis (where the spur gear/slipper unit was removed).
5. Attach the rear end unit to the chassis, keying in the rear output shaft of the center differential with the opening in the rear differential. Secure the assembly with the same four button-head cap screws.

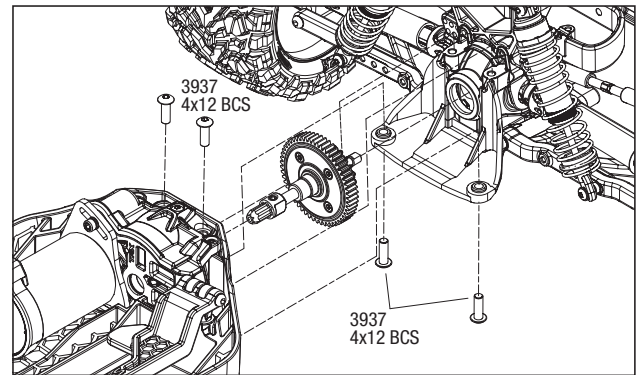


Rotate the rear wheels slowly until the output shaft keys into place.



Lock the rear skid into the chassis.

Tip: Rotate the rear wheels slowly while attaching the rear end to the chassis to properly set the rear output shaft of the center differential into the rear differential. You should feel the rear end set into place (A). The rear skid plate should lock into the bottom of the chassis (B).



Center differential tuning:

The center differential is assembled with 1M weight differential lube from the factory. This viscosity will be a good base point for most conditions. Thinner fluid will transfer power easier than thicker fluid. Try thinner fluid on extremely rough and slick surfaces, and thicker fluid on very smooth and high-bite surfaces.

If you have questions or need technical assistance, call Traxxas at

1-888-TRAXXAS

(1-888-872-9927) (U.S. residents only)

TRAXXAS.COM

Traxxas, 6250 Traxxas Way, McKinney, TX 75070, Phone: 972-549-3000, Fax: 972-549-3011, e-mail: support@Traxxas.com

KC2658-R00 Rev 181128



Visite la página TRAXXAS.com/manuals para descargar el instrucciones en su idioma.

Auf TRAXXAS.com/manuals können Sie anleitung in Ihrer Sprache downloaden.

Center Differential Instructions

Covers Part #6780



Tools needed: 2.5mm hex driver

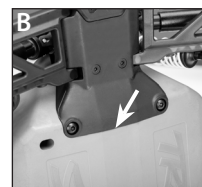
Center Differential Installation:

1. Locate and remove the button-head cap screws from the top rear of the chassis (2) and from the bottom of the rear skid plate (2) with a 2.5mm hex driver.
2. Remove the modular rear end from the chassis by sliding it backward away from the chassis. This is to access the spur gear/slipper unit.

3. Remove the spur gear/slipper unit from the rear of the chassis.
4. Insert the center differential unit into the rear of the chassis (where the spur gear/slipper unit was removed).
5. Attach the rear end unit to the chassis, keying in the rear output shaft of the center differential with the opening in the rear differential. Secure the assembly with the same four button-head cap screws.

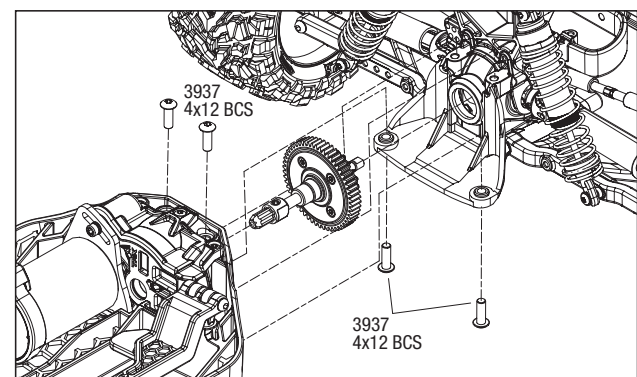


Rotate the rear wheels slowly until the output shaft keys into place.



Lock the rear skid into the chassis.

Tip: Rotate the rear wheels slowly while attaching the rear end to the chassis to properly set the rear output shaft of the center differential into the rear differential. You should feel the rear end set into place (A). The rear skid plate should lock into the bottom of the chassis (B).



Center differential tuning:

The center differential is assembled with 1M weight differential lube from the factory. This viscosity will be a good base point for most conditions. Thinner fluid will transfer power easier than thicker fluid. Try thinner fluid on extremely rough and slick surfaces, and thicker fluid on very smooth and high-bite surfaces.

If you have questions or need technical assistance, call Traxxas at

1-888-TRAXXAS

(1-888-872-9927) (U.S. residents only)

TRAXXAS.COM

Traxxas, 6250 Traxxas Way, McKinney, TX 75070, Phone: 972-549-3000, Fax: 972-549-3011, e-mail: support@Traxxas.com

KC2658-R00 Rev 181128